
CFL-SP001B: Geometric Series B



General Product Description

- Dimensions: 12.25' x 12.25' x 7.5"
- Maximum relief: approximately 3.9"
- Dimensions and surface textures may vary according to project specifications.

Fabrication and Installation

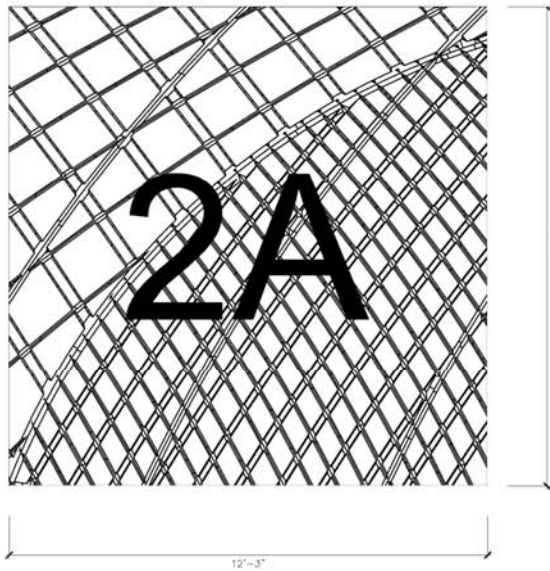
- All specialty liners are fabricated from fiberglass.
- Fiberglass form liners shall be reinforced with wood or other suitable material on approximately 0.304m centers, or as otherwise specified; please see website or call for Typical Fiberglass Specifications.

Release Agents

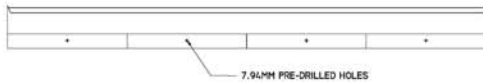
- Release agent must be approved and applied according to CFL's installation instructions.

NO SUBSTITUTIONS WILL BE ALLOWED WITHOUT PRIOR WRITTEN APPROVAL FROM PROJECT ENGINEER OR ARCHITECT.
Please contact CFL for full specifications and installation instructions for our liner products.

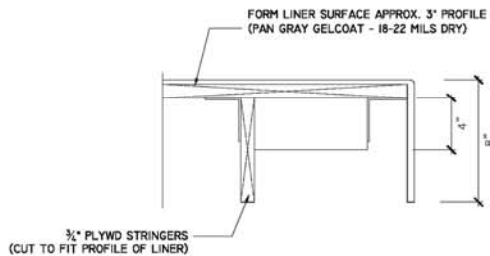
CFL-SP001B: Geometric Series B



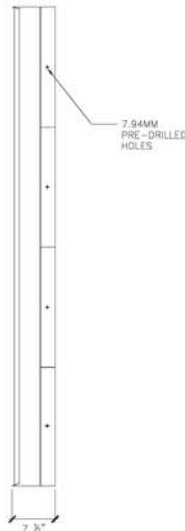
ARTWORK ELEVATION



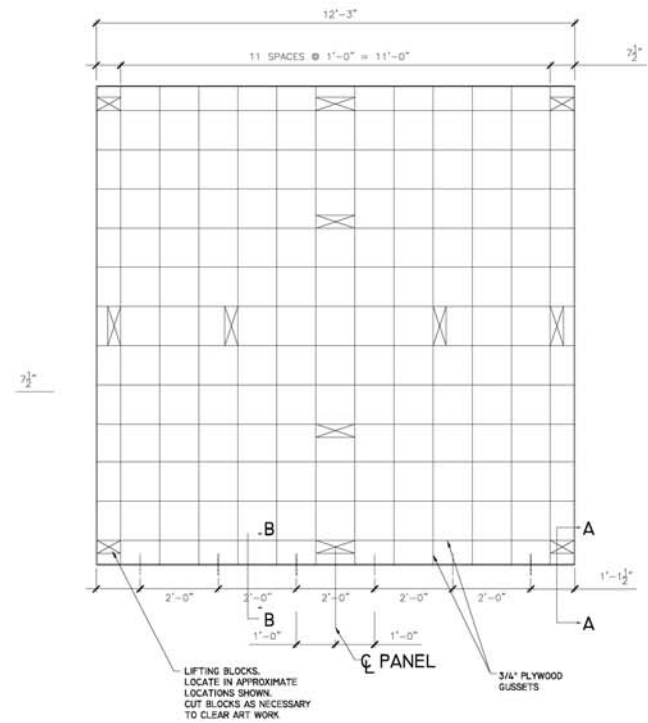
SIDE VIEW



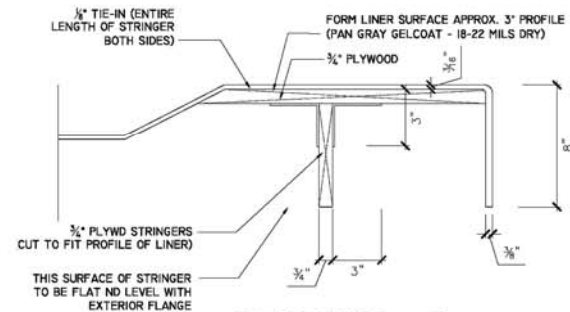
SECTION - A



SIDE VIEW



PLAN VIEW BACK



SECTION - B